

RCR-SDUSB Installation Instructions

Product overview

The RCR-SDUSB is a remote card reader for Axiom MFDs. It includes:

- **SD card slot** — compatible with MicroSD memory cards for electronic charts and user data (e.g. waypoints etc.). MicroSD cards must be inserted into an adaptor before they can be used in the RCR-SDUSB's SD card slot. Most MicroSD cards are supplied with a suitable adaptor.
- **USB port** — for connecting external USB storage devices (e.g. memory sticks). This port can also be used to charge external USB devices.



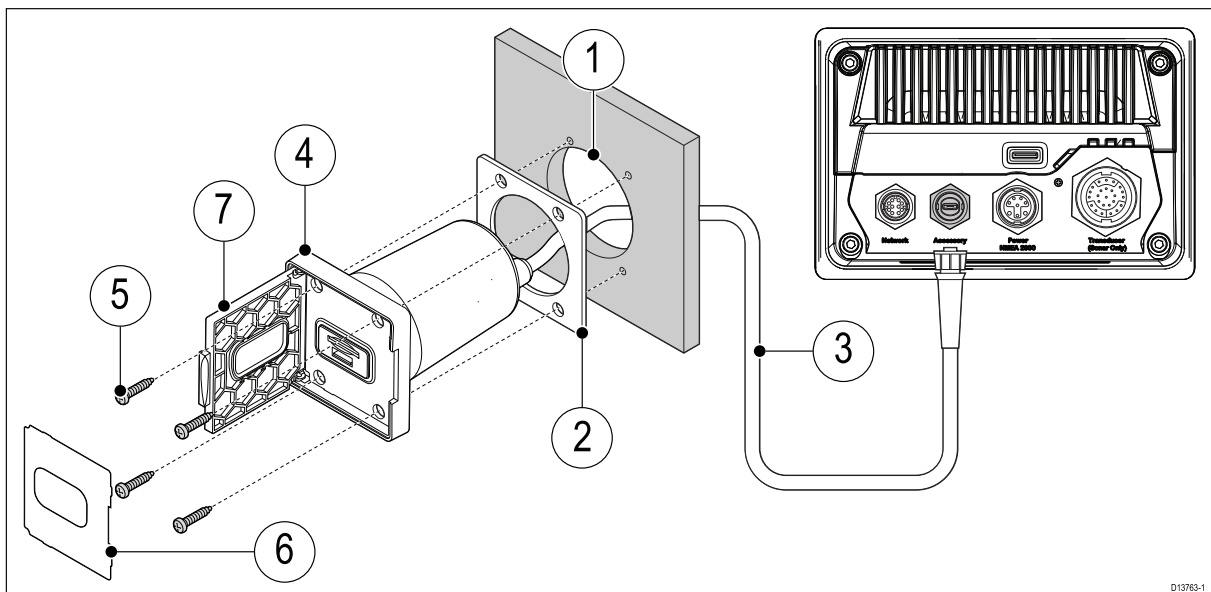
Warning: USB device power

Do NOT connect any device that requires an external power source, other than that supplied by the MFD's USB connection.

Surface mounting

Note:

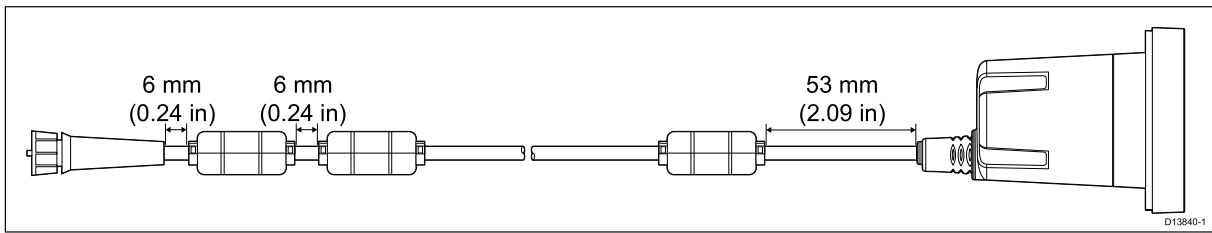
- 4 x appropriate size self-tapping screws (not supplied) are required to mount the unit.
- Drill bit and screw size are dependent upon the thickness and type of material that the unit is being mounted on.



1. Using the RCR-SDUSB mounting template (87292) as a guide, cut and drill the relevant holes in the mounting surface.
2. Attach the gasket to the rear of the card reader.
3. Feed the cable through the hole and connect to the Accessory connection on the rear of your MFD.
4. Insert the card reader into the cut-out hole.
5. Secure the card reader using appropriate self-tapping screws (not supplied).
6. Insert the card reader inlay.
7. To prevent water ingress and consequent damage to the product, ensure that the card reader door or cover is firmly closed.

Fitting suppression ferrites

In certain installation scenarios interference may be experienced in the form of data corruption when reading and writing to external storage via the card reader. Under these circumstances the supplied suppression ferrites should be fitted to the card reader's cable, as described below.



Two of the suppression ferrites should be fitted at 6 mm (0.24 in) intervals from the connector end of the cable and the third ferrite at a distance of 53 mm (2.09 in) from the rear of the card reader. Cable ties are also supplied to help secure each ferrite in place.